

KONE turnstile 30

FOR BUILDINGS THAT REQUIRE HIGH THROUGHPUT AND DURABILITY

An energy-efficient access control solution, KONE turnstile 30 is designed for buildings where high throughput, durability, and easy operation are important requirements. KONE turnstile 30 is ideal for busy environments such as educational, leisure, and transportation facilities. The high-quality stainless steel components are hygienic and suitable for indoor and outdoor installation.



KONE turnstile 30 is ideal for busy environments where high throughput is required.

Versatile

We offer an attractive designs for single and multiple installations. The turnstiles are made of durable stainless steel in order to withstand extremely high usage levels.

Automatic clearing and barring

In emergency situations, the foldable bars provide a clear escape route in both directions. A patented mechanism allows the bars to be automatically reset as soon as the emergency is over.




Quiet and efficient operation

The low-energy drive produces virtually no sound and enables smooth, safe access even during peak periods. The smooth drive unit makes the KONE turnstile 30 perfect for internal entrance areas that require quietness, such as educational facilities.

KEY BENEFITS

- **High throughput** – Access for up to 45 people per minute
- **Automatic clearing and barring** – Rapid evacuation in emergency situations and easy passage for goods transportation
- **Quiet and efficient** – Quiet, low-energy drive enables smooth, safe access even during peak periods

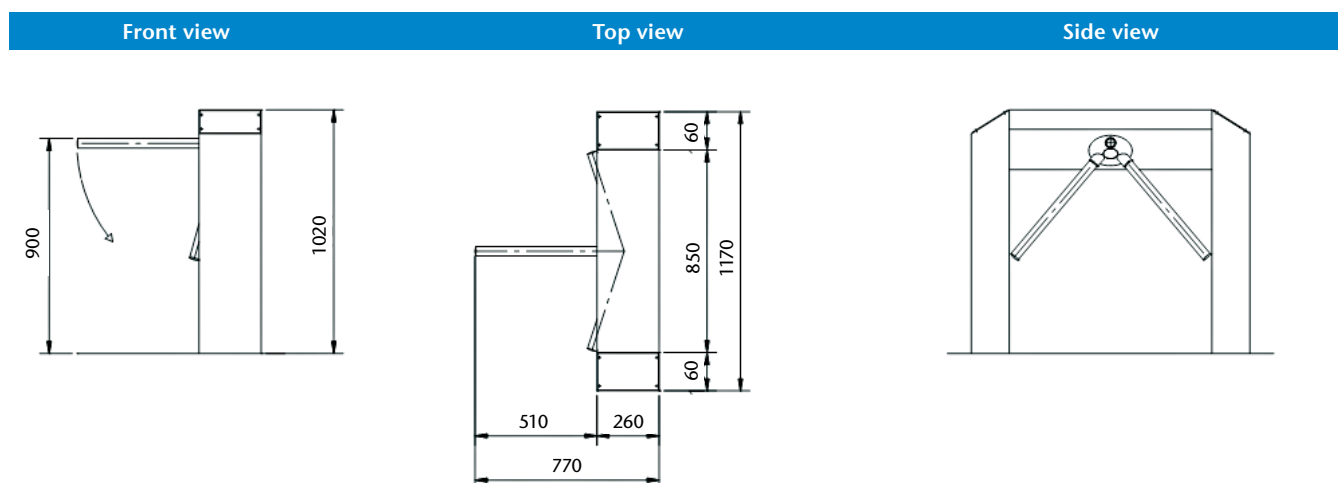
KONE turnstile 30

Functional characteristics	
Throughput rate	Up to 45 people/min
Security level	
Comfort	
Personal safety	
Staff supervision	Yes



Technical specifications*		
Construction	Housing and base columns mounted as a single unit (no back plate between base columns)	
	Height	1020
	Length	1170
	Width	770 (housing 260, crossbar 510)
Material	Housing, base columns, ground plate or flange and crossbars	Stainless steel (AISI 304)
	Finish	Satin stainless steel
Operation	Power-assisted motion	Servo-positioning drive, 2 directions, electrically controlled
Electrical components	Integrated control system	
	Power (main) supply 110–230 V, 50/60 Hz	
	Standby power consumption 10 VA	
Installation	Dowelled on finished floor level	Indoor and outdoor
Protection class	Housing	IP33
	Components conducting supply voltage	IP43

* All dimensions in mm



KONE Corporation
www.kone.com

This publication is for general informational purposes only and we reserve the right at any time to alter the product design and specifications. No statement this publication contains shall be construed as a warranty or condition, express or implied, as to any product, its fitness for any particular purpose, merchantability, quality or representation of the terms of any purchase agreement. Minor differences between printed and actual colors may exist. KONE MonoSpace®, KONE EcoDisc®, KONE Care®, KONE Polaris™ and People Flow® are registered trademarks of KONE Corporation. Copyright © 2014 KONE Corporation.