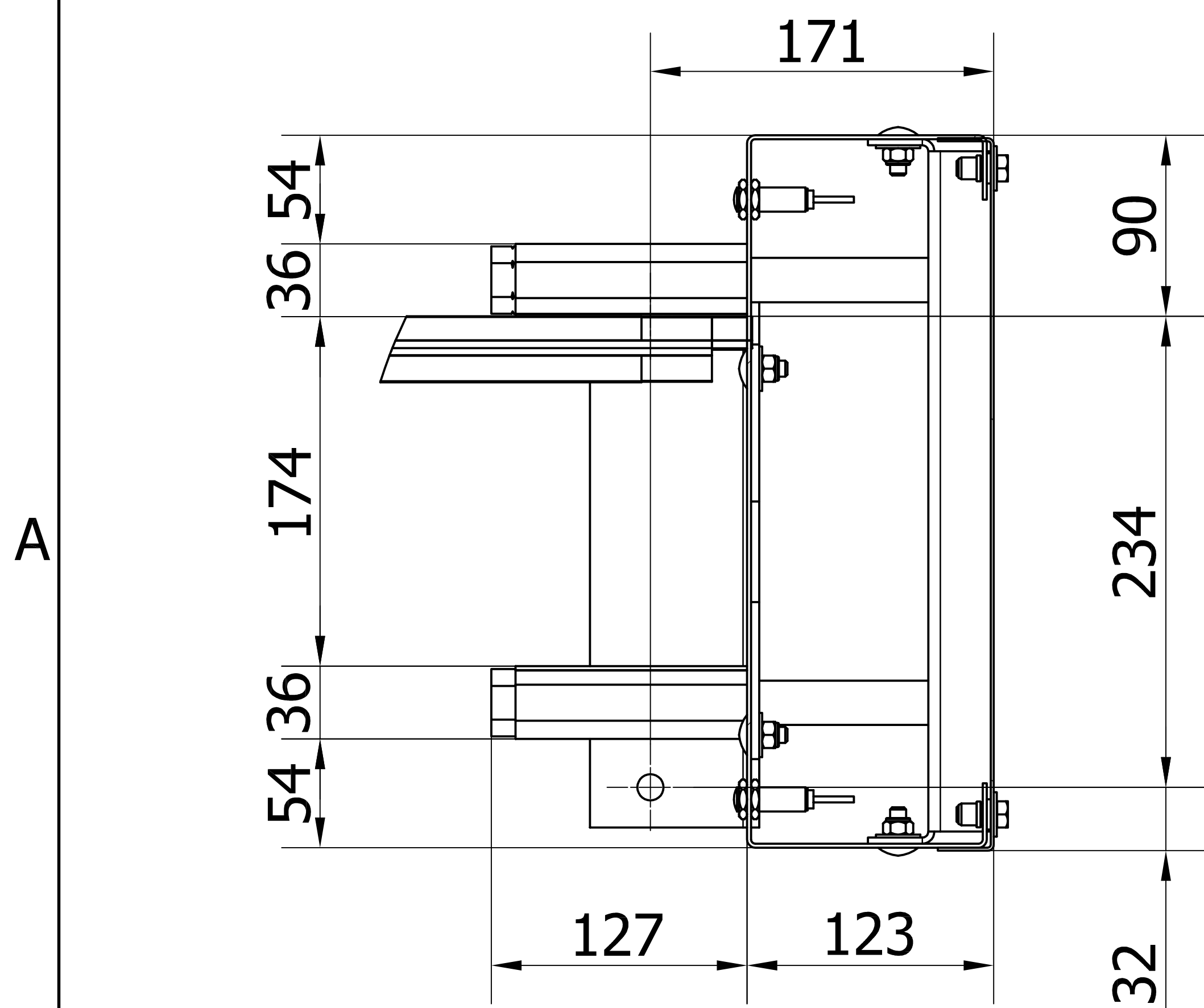
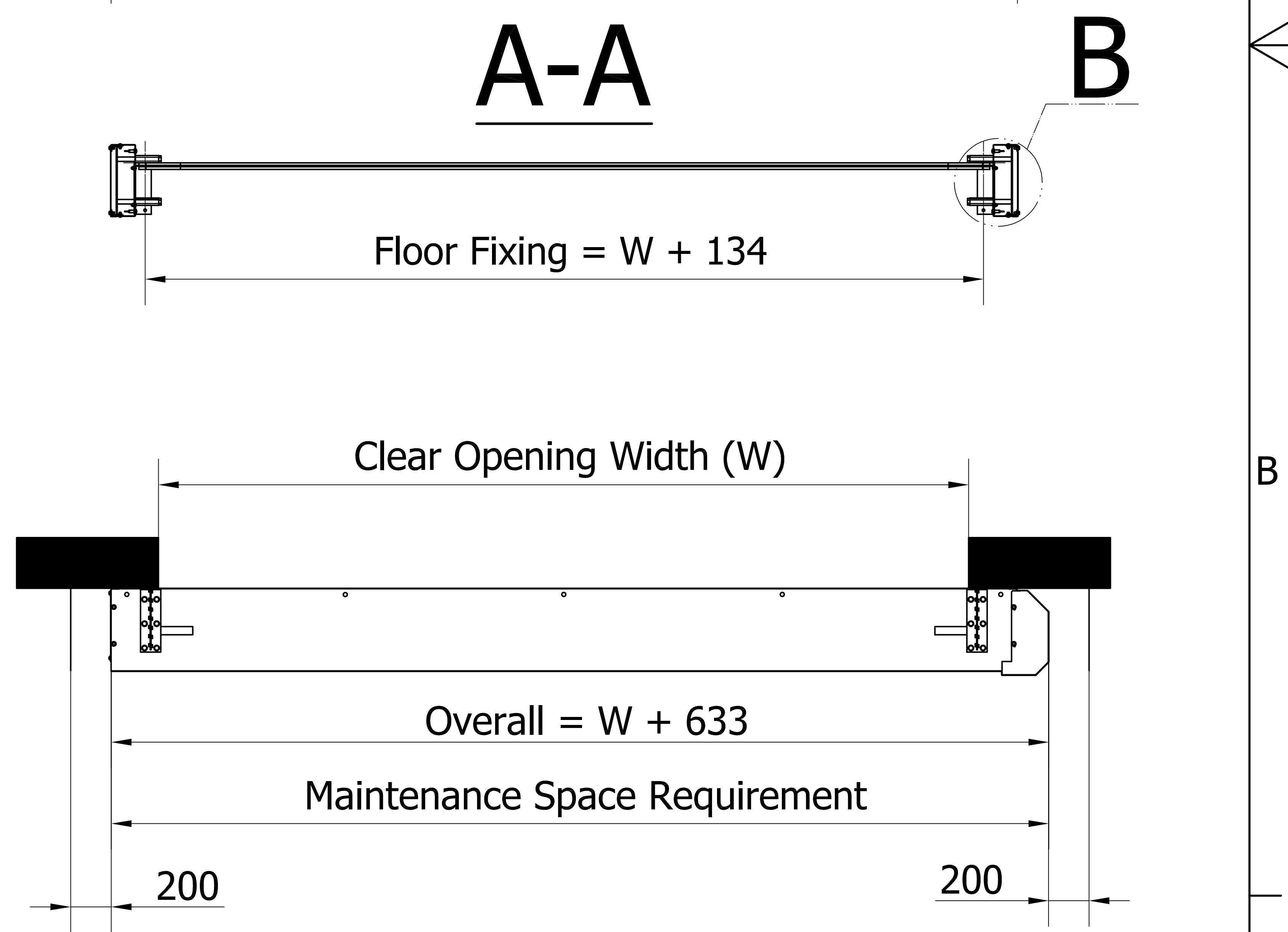


**DETAIL B**  
drilling & fixing on the floor



 <b>Fold Chill</b> <b>WITHOUT HEATERS</b> <b>DIMENSIONS</b> <b>AND SPACE REQUIREMENT</b>		update on :
	made by : grinandjf	update by :
	Date : 14/02/2017	version :
	Scale : fs	page : 1/1
	Drawing sheet : Fold Chill	
<small>Property of the company; using or duplicate without permission is forbidden.</small>		