

Overall Width (including mounting brackets) =
Clear Opening Width + 667

700 FIXING BRACKETS 700

Fixing Hole = H + 1553

2000
2000
2450

A

A

250 250
280 280
Clear Opening Width (W)
Overall = W + 560

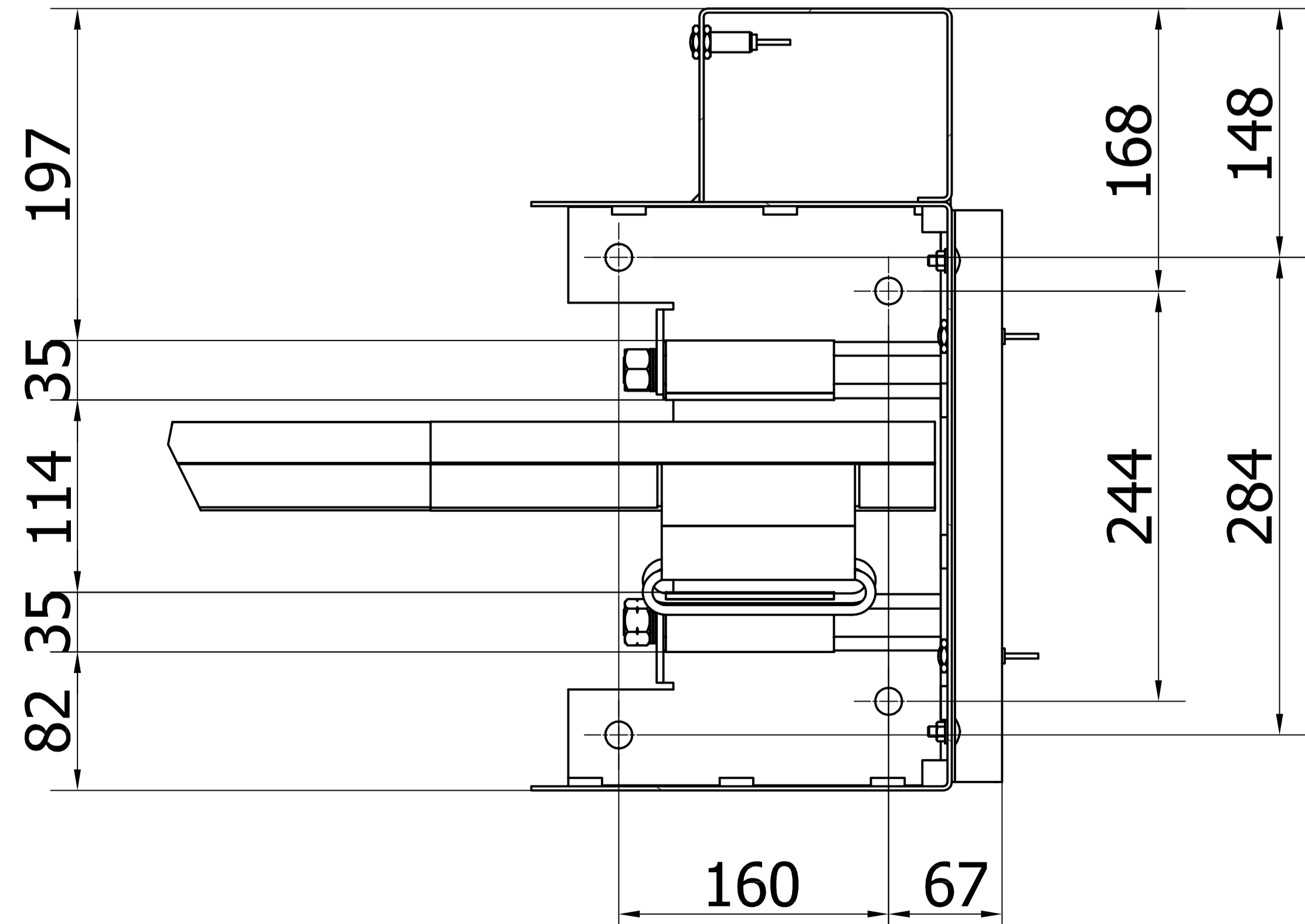
A-A

Floor fixing = W + 105
Floor fixing = W + 426
Maintenance Space Requirement

150

150

DETAIL B
drilling & fixing on the floor



IF CLEAR OPENING WIDTH > 6300
HEADROOM = CLEAR OPENING HEIGHT + 1500

SPACE REQUIRED = Clear Opening H + 1683

Overall With Brackets = H + 1582

Overall = H + 1500

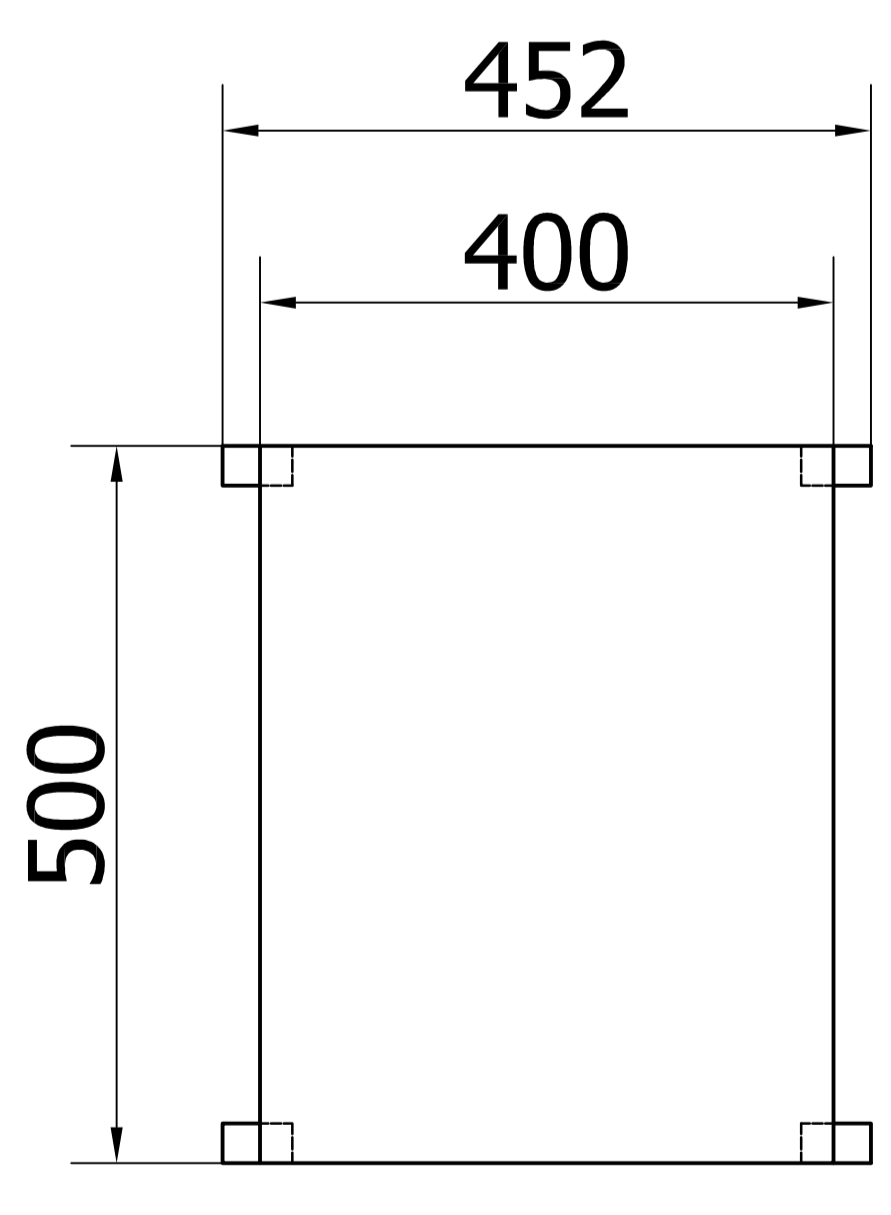
Clear Opening Height

748 307

180

520

465
546



- *400V 3-phases
or 230V 3-phases
- *Door supply cable :
square 4G2.5
3 PHASES + earth without
neutral
- *Head circuit breaker
- *Either 20A curve C
or 16A curve AM

ABS control box = 200
HINGES ON THE LEFT , LOCK ON THE RIGHT

KONE

DIMENSIONS AND SPACE REQUIREMENT
WITHOUT COUNTERWEIGHT
STANDARD CURTAIN
Fold Max

made by : grinandjf	update on : update by : version :
Date : 14/02/2017	page : 1/1
Scale : fs	Paper Size : A2
Drawing sheet : Fold Max	

Property of the company; using or duplicate without permission is forbidden.