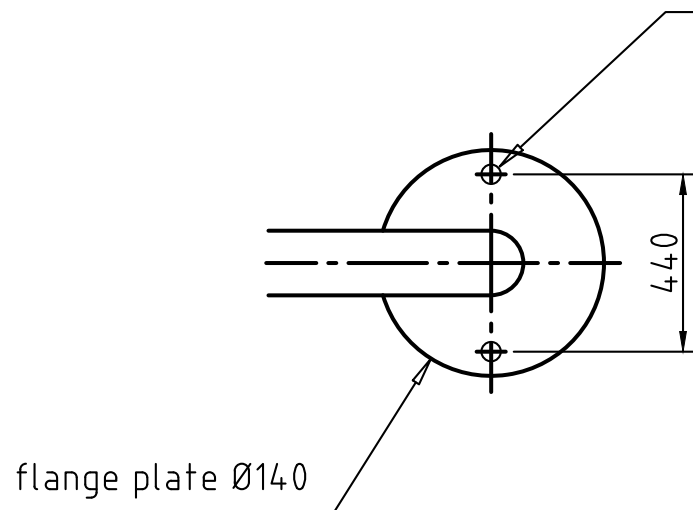


concrete thickness  
to dowel fixing  
min. 200mm

2x Ø12 in flange plate  
for fixing by shear connector  
with female thread M8x95



flange plate Ø140

### KONE Guiding Barrier 15

#### Brief description Basic equipment

- Axial dimension 870mm
- Total height: 900mm
- Pedestrian guiding element with crossbar, height 320mm made of tubular stainless steel AISI 304 Ø40mm, with tempered safety glass panel
- stainless steel satin finish
- Dowelled in finish floor level FFL
- Suitable for outdoor installation!

#### conduits

- the conduit of this drawing are reserved for the supply of the turnstile only
- the conduit for the readers etc. must be additionally laid according to the maker's specifications

#### implementing regulations DIN EN 206-1/DIN 1045-2

- quality of the concrete C30/37

|                                |             |   |                   |
|--------------------------------|-------------|---|-------------------|
| Title: KONE Guiding Barrier 15 |             |   | Drawing number:   |
| Order number:                  | Page no.:   | Projectie ISO-128   |                   |
| Date: 23-03-2017               | Scale:      |   | Revision number:  |
| Drawn by:                      | Paper size: |   | A:                |
|                                |             | Accustraart 21<br>Postbus 94<br>3903 LX Veenendaal<br>Tel.: +31 318 532333<br>Fax: +31 318 532339 | B:                |
|                                |             |   | C:                |
|                                |             |   | Copyright by KONE |