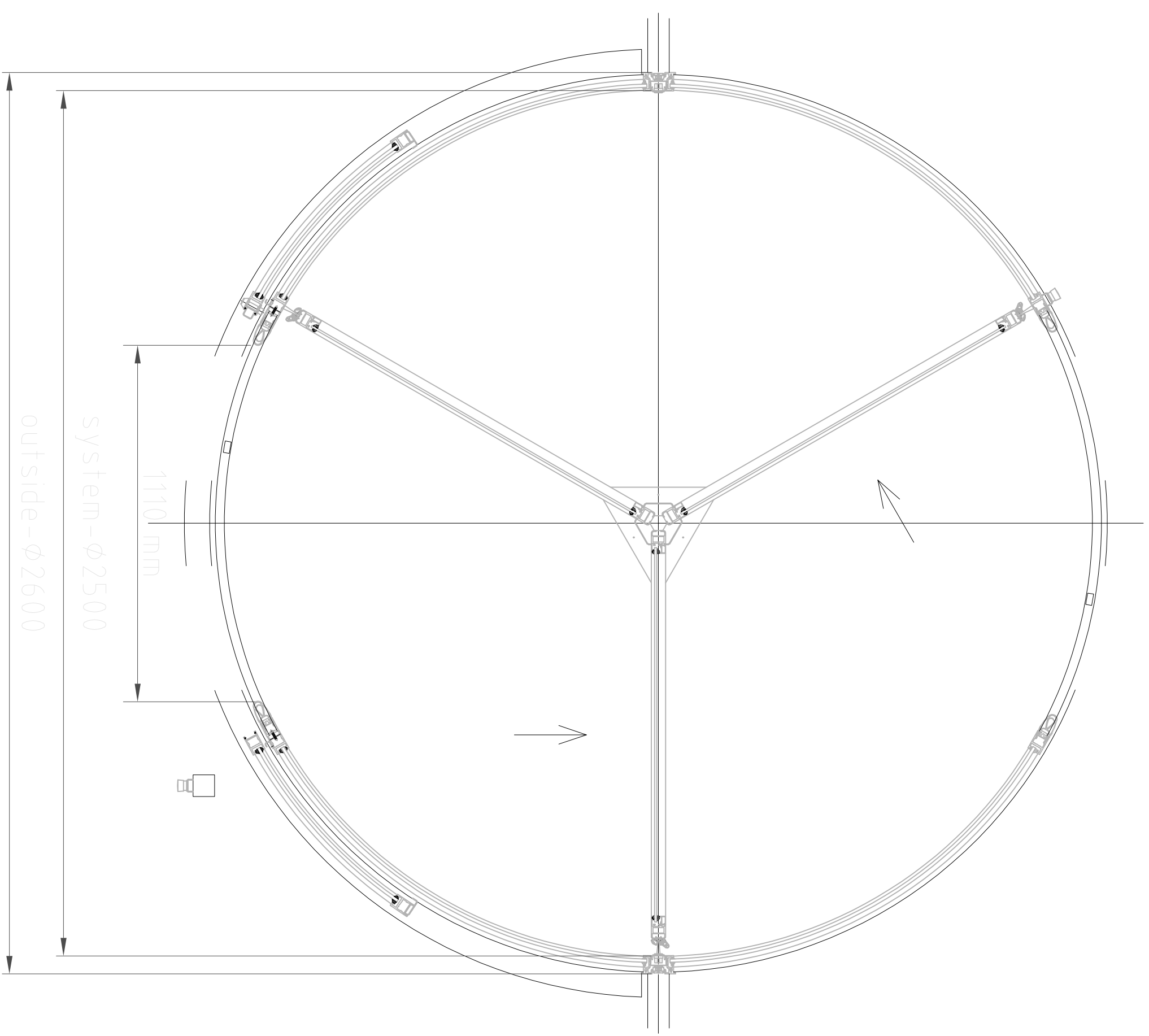


Revolving door type: KR30, a versatile and sustainable access solution with the following specifications:

- outside diameter 2600 mm
- clear passage width 1110 mm mm
- free passage height 2200 mm
- height upper body part 300 mm
- total external height 2500 mm
- trough put for the offered configuration: maximum 17 people / minute / direction
- 3 door leaves
- folding door panels, aluminum profiles, type W40 (profile depth 40 mm), with laminated glass, rotating column with center
- finished in RAL 9006
- Water proof covering
- operator with full automatic positioning, equipped with all safety features
- lighting by 3 LED spots
- For 120° Diam 2300–2800 mm air curtain WATER RKA 2001, type 2
- Night slides glass outside 180° + 120° incl. Night slide motor
- Guiding rail for night slides
- Stainless steel floor element 60 – 79 mm
- recessed key switch for turning 'free' of the door
- two emergency stop switches
- program switch (OPL), flush mounted
- Radar detectors to automatically start up the door
- 2 pre sensors



Title: KONE Revolving door 30 (KR30) 120°		Drawing number:	
Order number:	Page no.:	Projectie ISO-128	Revision number:
Date: 23-03-2017	Scale:	A	A:
Drawn by:	Paper size:		B:



Acoustraat 21
Postbus 94
3903 LX Veenendaal
Tel.: 0318 - 532333
Fax: 0318 - 532339

Copyright by KONE