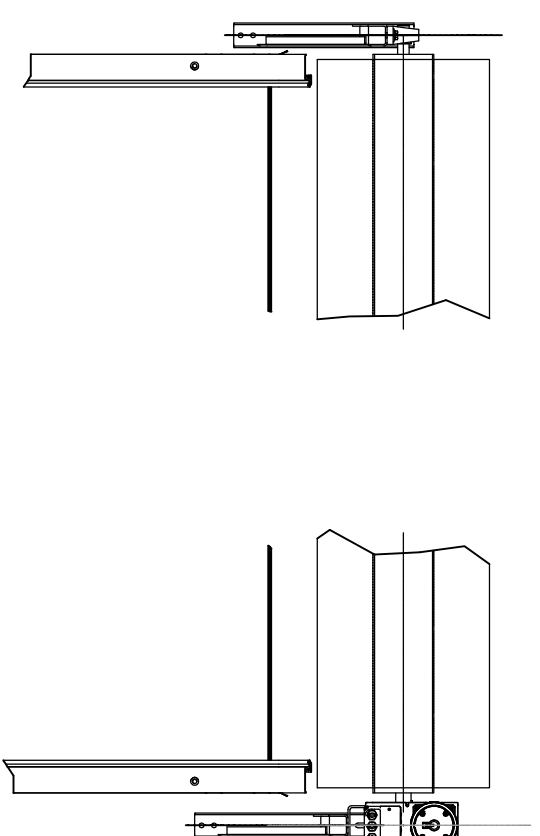


 Please make sure that the curtain does not rub against the funnel after mounting the guide rail. If necessary, adjust the funnel (by bending)! The funnel should be perpendicular to the running track at half door height.

**fastener**

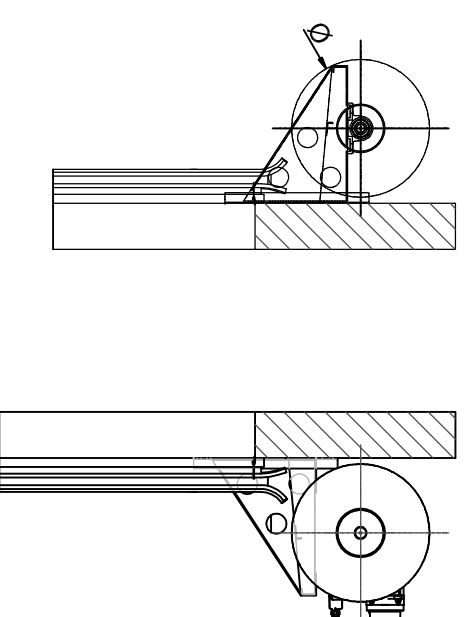
for external rolling doors mount drivngconsole and bearingconsole with stainless stell-fastener !

structure	concrete	masonry	aged concrete (steel enclosure required)	steel	wood
console Typ1 / hanging drive console	Fischer FAZ II 12	threaded rod M12	hex bolt M12x60	hex bolt M12x60	threaded rod M12
console ESTA 7.5	Fischer FAZ II 12	threaded rod M12	hex bolt M12x60	hex bolt M12x60	threaded rod M12
console ESTA 8	Fischer FAZ II 16	threaded rod M16	hex bolt M16x60	hex bolt M16x60	threaded rod M16
console ESTA 9 (922 mm x 850 mm)	Fischer FAZ II 20	threaded rod M20	hex bolt M20x60	hex bolt M20x60	threaded rod M20
wall flange/ wallflangeconsole	Fischer FAZ II 12	threaded rod M12	hex bolt M12x60	hex bolt M12x60	threaded rod M12
guide rail without relining	Fischer FUR II 10/80	Fischer FUR II 10/80	Fischer GB14/ hex bolt 10x95	drill screw 6,3x32	wood screw 8x120
guide rail with 30mm relining	Fischer FUR 10/135	Fischer FUR 10/135	Fischer GB14/ hex bolt 10x140	drill screw 6,3x60	wood screw 8x120
guide rail with 60mm relining	Fischer FUR 10/135	Fischer FUR 10/135	Fischer GB14/ hex bolt 10x165	drill screw 6,3x90	wood screw 8x150
guide rail with 80mm relining	Fischer FUR 10/160	Fischer FUR 10/160	Fischer GB14/ hex bolt 10x190	drill screw 6,3x110	wood screw 8x180
header seal	nail dowels 8x60	nail dowels 8x60	drill screw 6,3x32	drill screw 6,3x32	Spax screw 6x90
console barrel casing	Fischer FAZ II 10	threaded rod M10	threaded rod M10	hex bolt M10x60	threaded rod M10

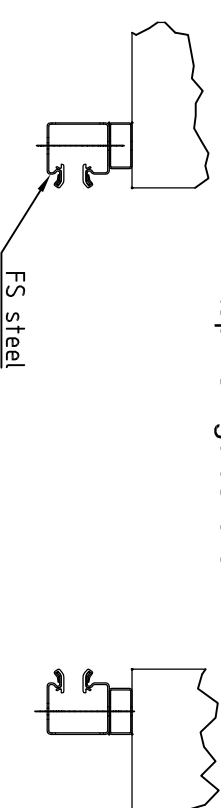


sideview left

sideview right



-top view guide rails-



guide rails (FS)

- technical characteristics of the door:
- side space motor side (necessarry): xxx mm
  - side space bearing side (necessarry): xxx mm
  - necess. lintel height: xxx mm
  - drive-pin: xx mm
  - bearing-pin: xx mm
  - direct mount drive TARx.xx
  - emergency drive operation

**TECKENTRUP**  
DOOR SOLUTIONS

334 15 Vert-Stranheide  
Industriestr. 27  
T +49 (0) 5246 504-0  
F +49 (0) 5246 504-230

06780 Großzöbentz  
Teckentrupstraße 1  
T +49 (0) 34956 65-0  
F +49 (0) 34956 65-133

Kundenauftragsnummer  
Sales order number  
Positionsnummer  
Item number  
Kundennummer  
Customer number  
Kundenname  
Customer name  
Materialnummer  
Material number  
Materialbezeichnung  
Materials summary  
Kundenkennzeichen  
Customer's indicator

Rollgitter

Diese Zeichnung ist und bleibt unser geistiges Eigentum. Diese Zeichnung ist urheberrechtlich geschützt. Teilweise sind gesetzlich geschützte Patente und Gebrauchsmuster enthalten. Alle Verletzungen unserer Schutzrechte, nicht genehmigte Verwertung, Vervielfältigungen, Überlassung an Unberechtigte u.ä. werden von uns hinsichtlich unserer Unterlassung, Schadenersatz und in strafrechtlicher Hinsicht verfolgt.