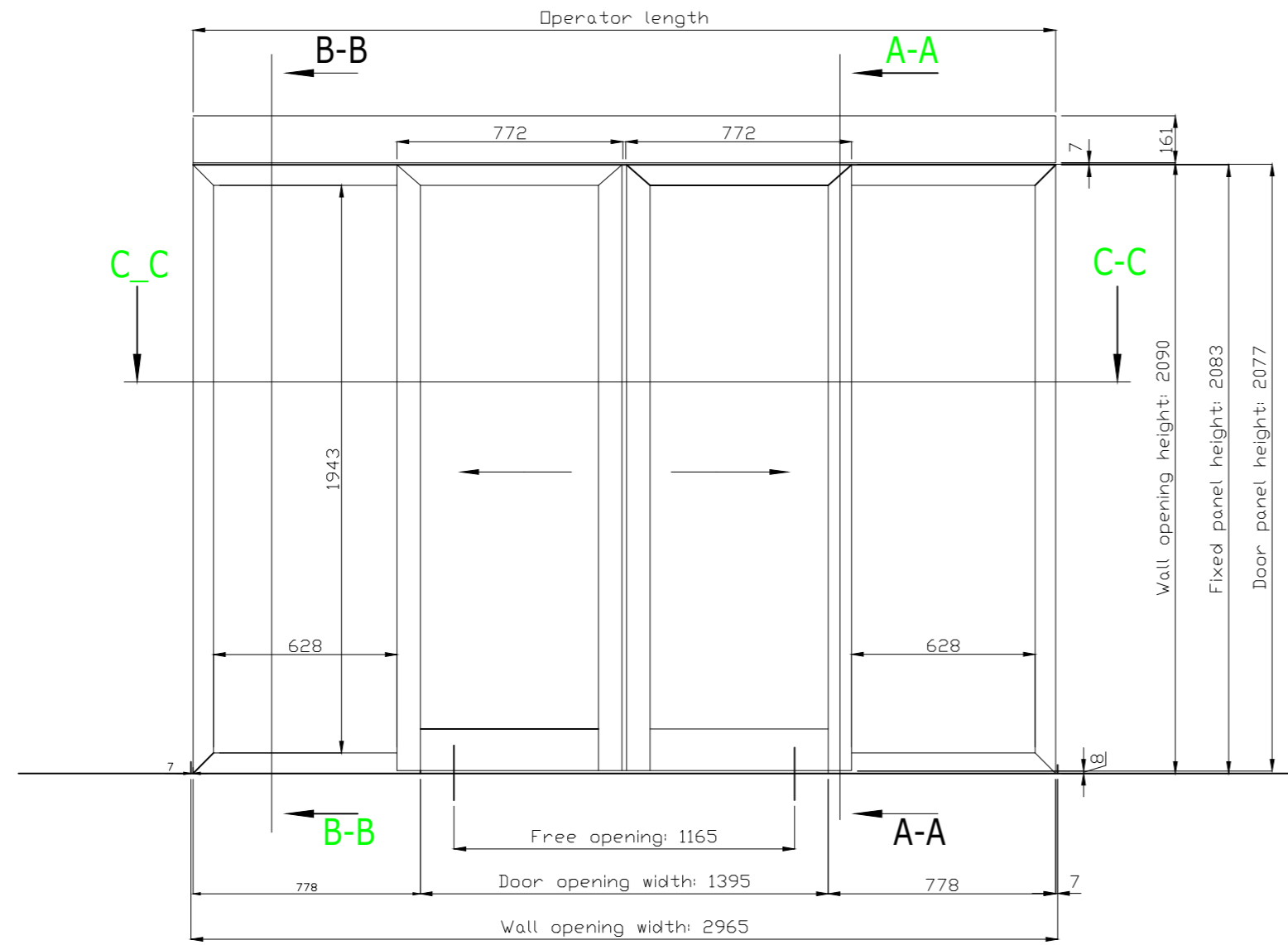
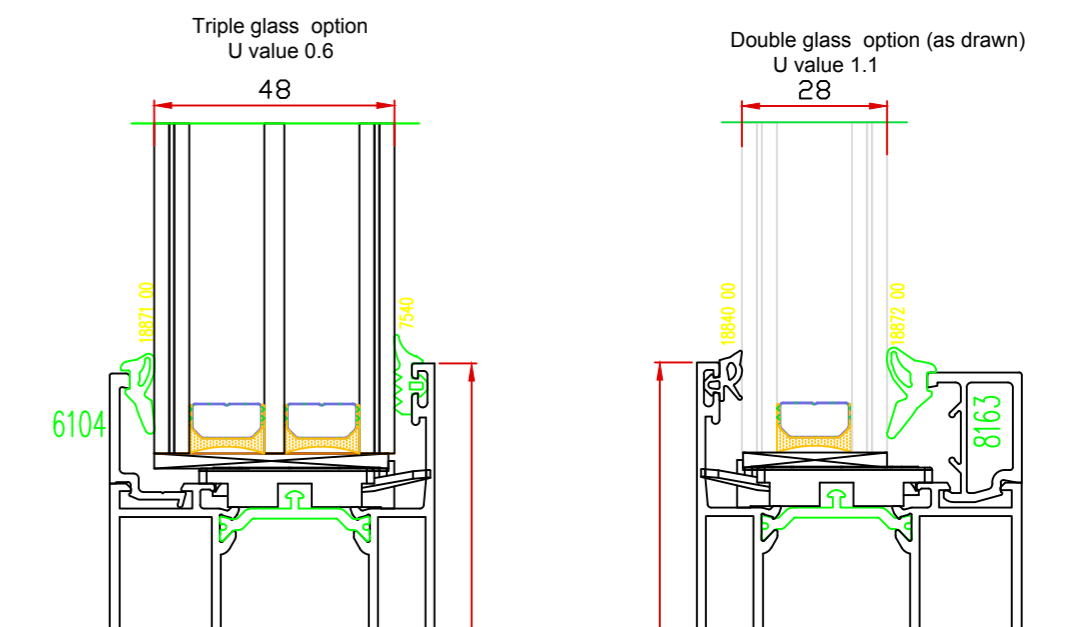
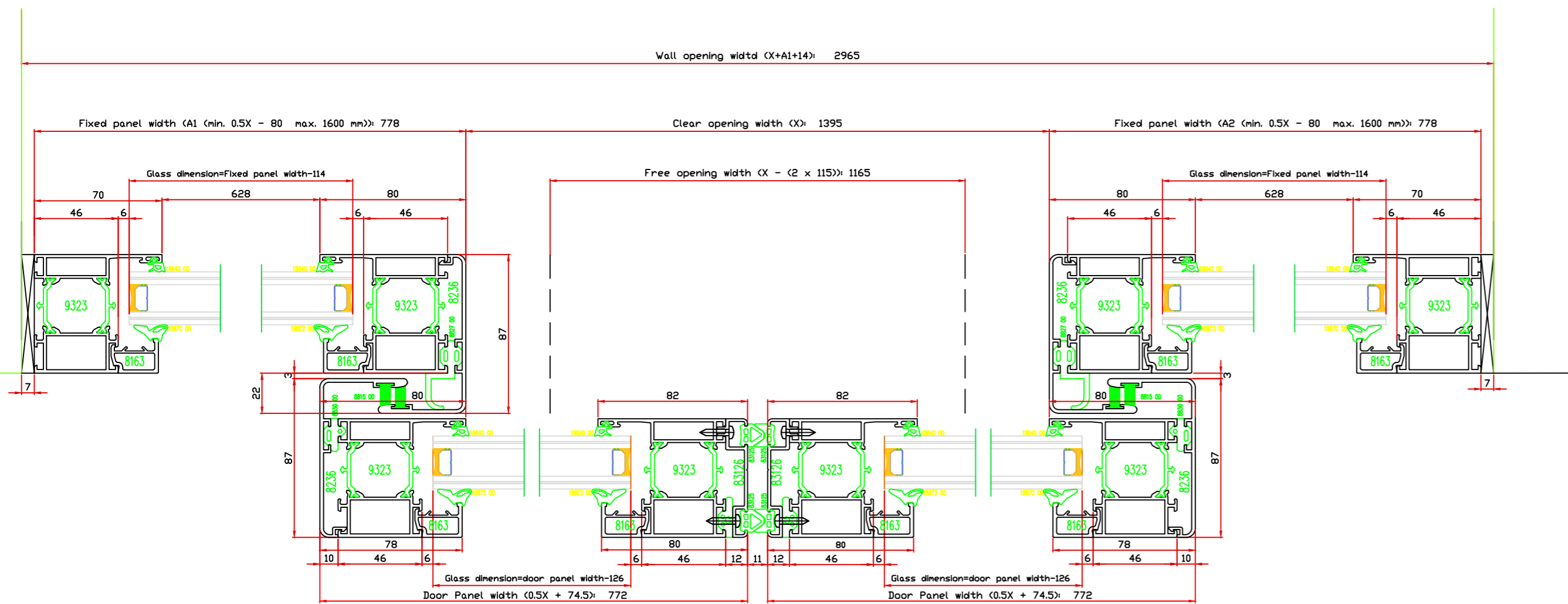
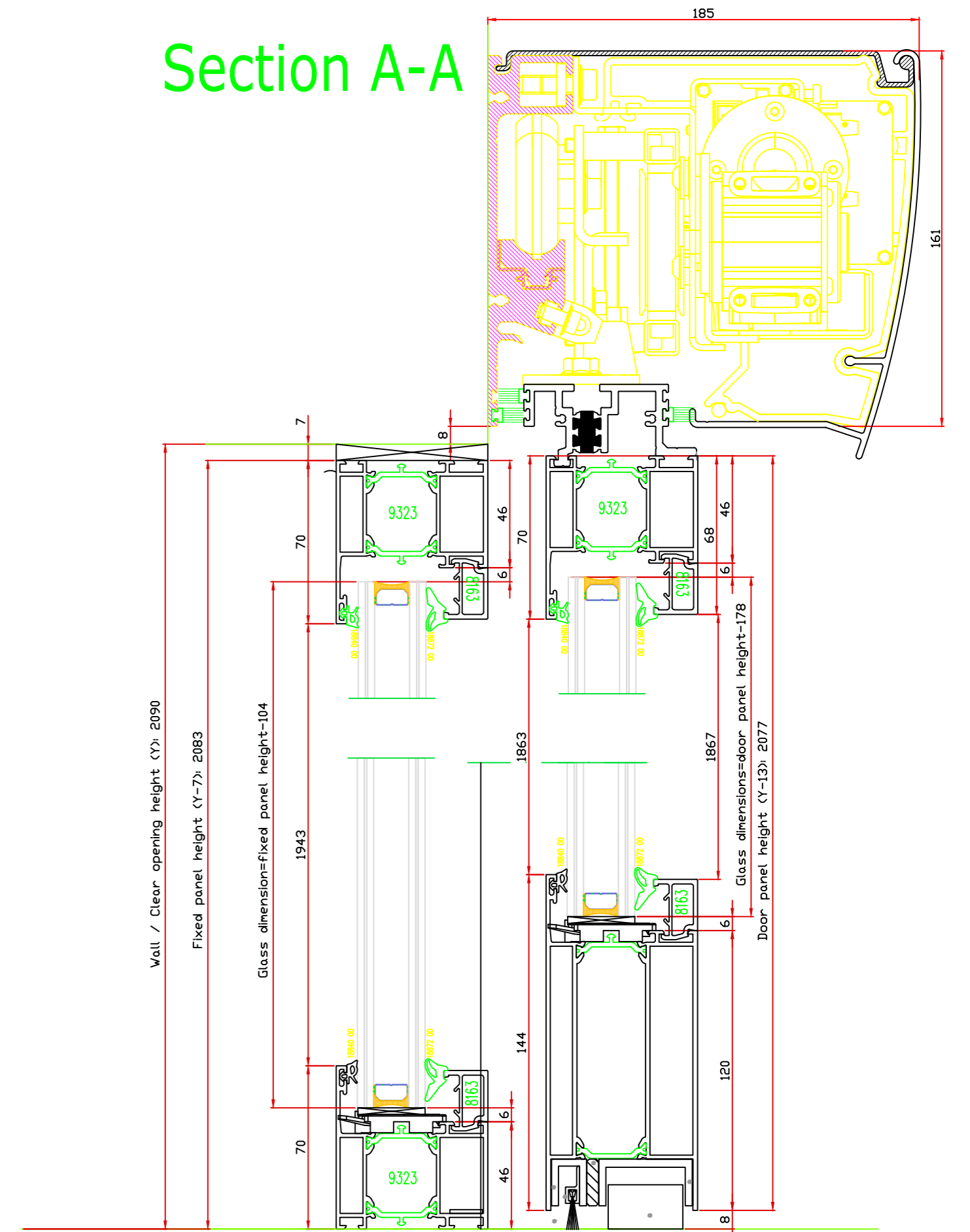


Interieur view



Section A-A



	DESCRIPTION	TO FILL IN
X	Clear opening width	
Y	Clear opening height	

Title:		Drawing number:	
Order number:	Page no.:	Projectie ISO-128	Revision number:
Date:	Scale:	⊕ A	A:
Drawn by:	Paper size:		B:
		Smalle Zijde 20A Postbus 94 3900 AB Veenendaal Tel.: 0318 - 532333 Fax: 0318 - 532339	
		Copyright by KONE	