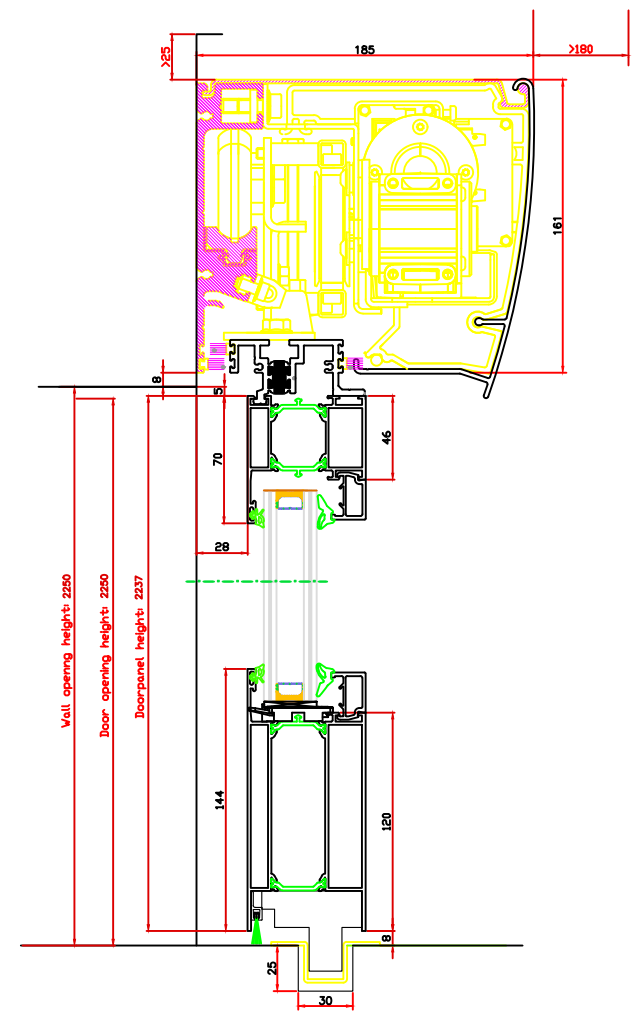
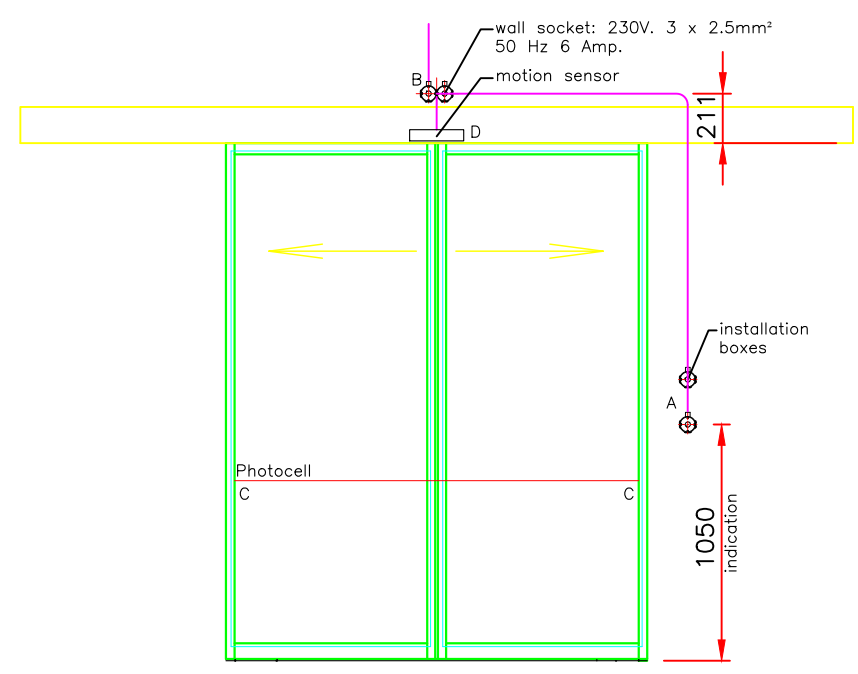
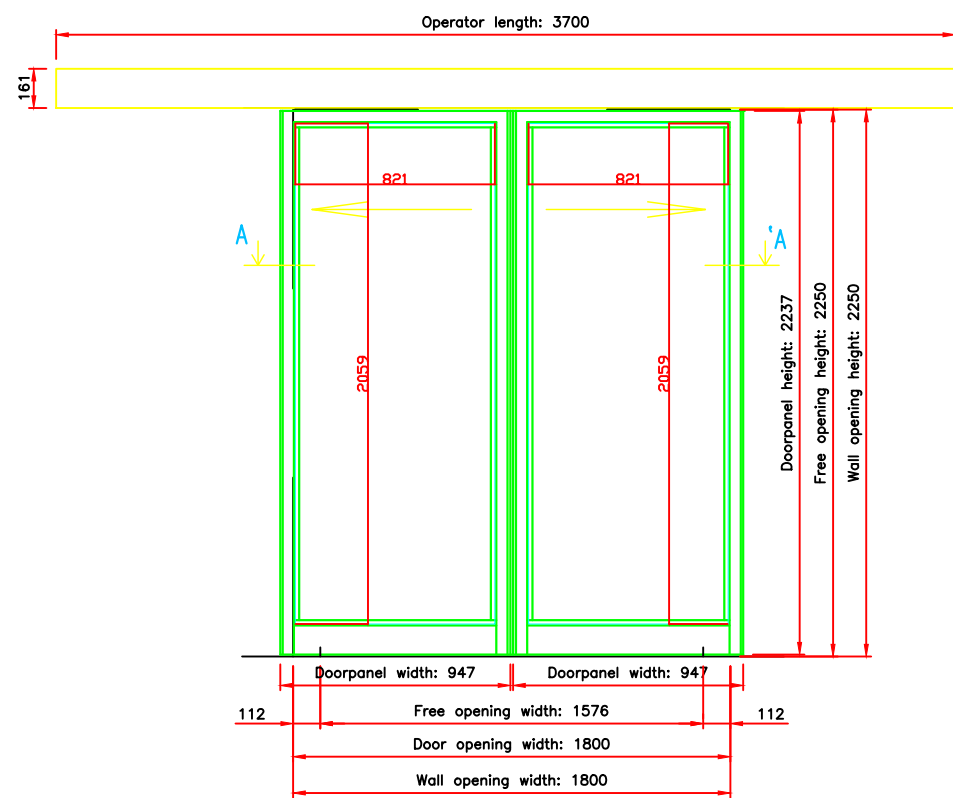


SECTION A'A

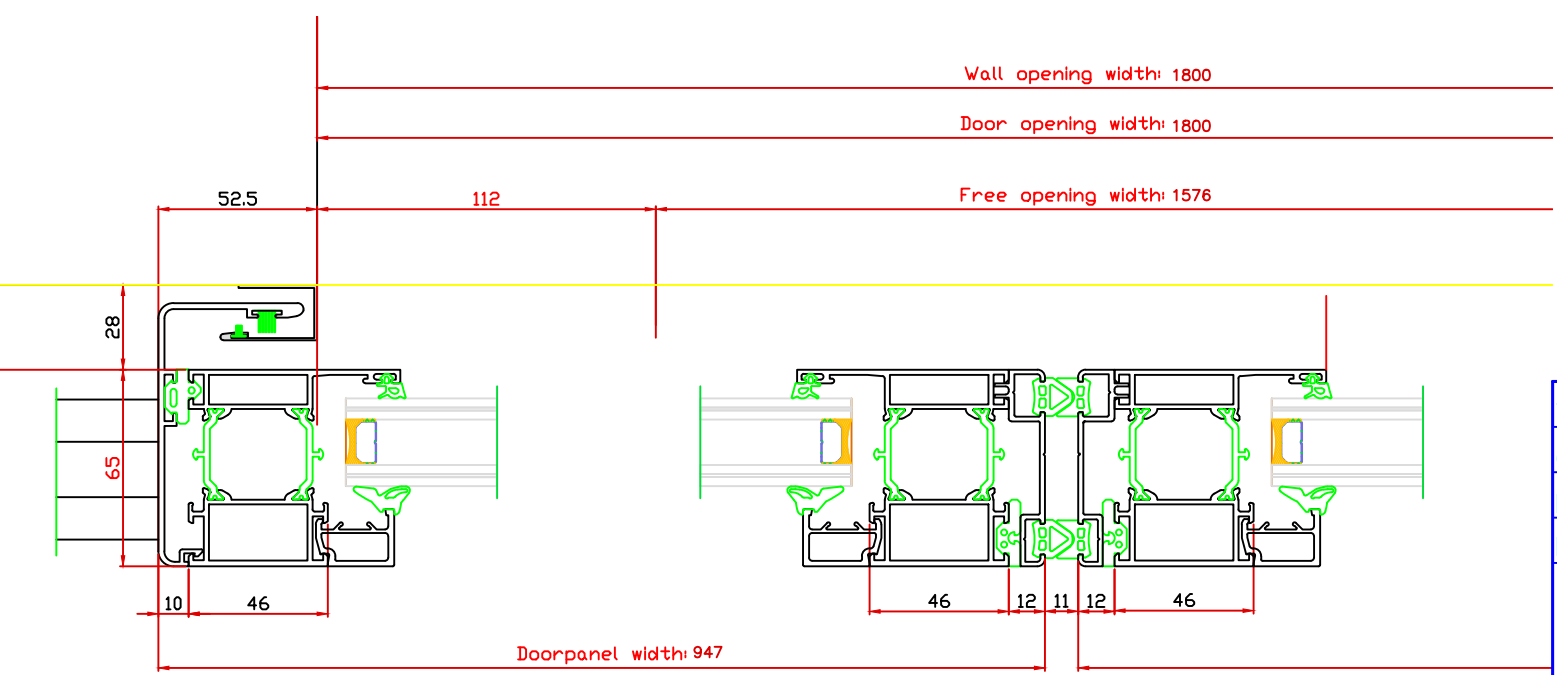


implementable signaling devices

position	device	symbol
A	push button, 4 x 0.34mm ²	
A	domed push button, 4 x 0.34mm ²	
A	push button 2-positions, 4 x 0.34mm ²	
A	key switch, 4 x 0.34mm ²	
A	pull switch, 4 x 0.34mm ²	
A	elbow push switch, 4 x 0.34mm ²	
A	PGS wired UTP Cat5, 8 wires Ø0,5mm	
B	wall socket: 230V, 3 x 2.5mm ²	
C	photocell incl. cable	
D	motion sensor incl. cable	

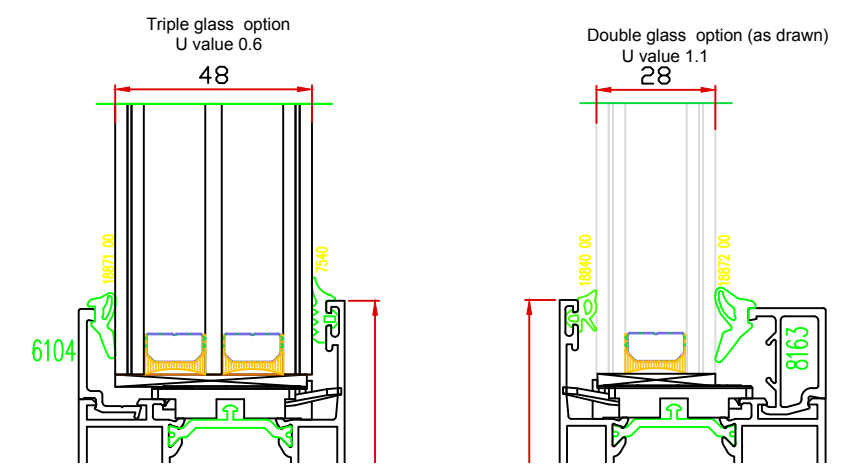
other implementable electrical devices

INPUT:	- intercom	
	- fire alarm system	
	potential free contact switch	
OUTPUT:	- bell switch	
	- alarm system	
	I _{max} = 400mA	



Glass measurements in mm

	WIDTH	HEIGHT
LEFT DOORWING	821	2059
RIGHT DOORWING	821	2059



Title: SD50 KONE SD D

Order number:	Page no.:	Projectie ISO-128
Date:	Scale:	
Drawn by:	Paper size: A3	Revision number: A: B: C:

Accustraat 21
Postbus 94
3903 LX Veenendaal
Tel.: 0318 - 532333
Fax: 0318 - 532339

Copyright by KONE

