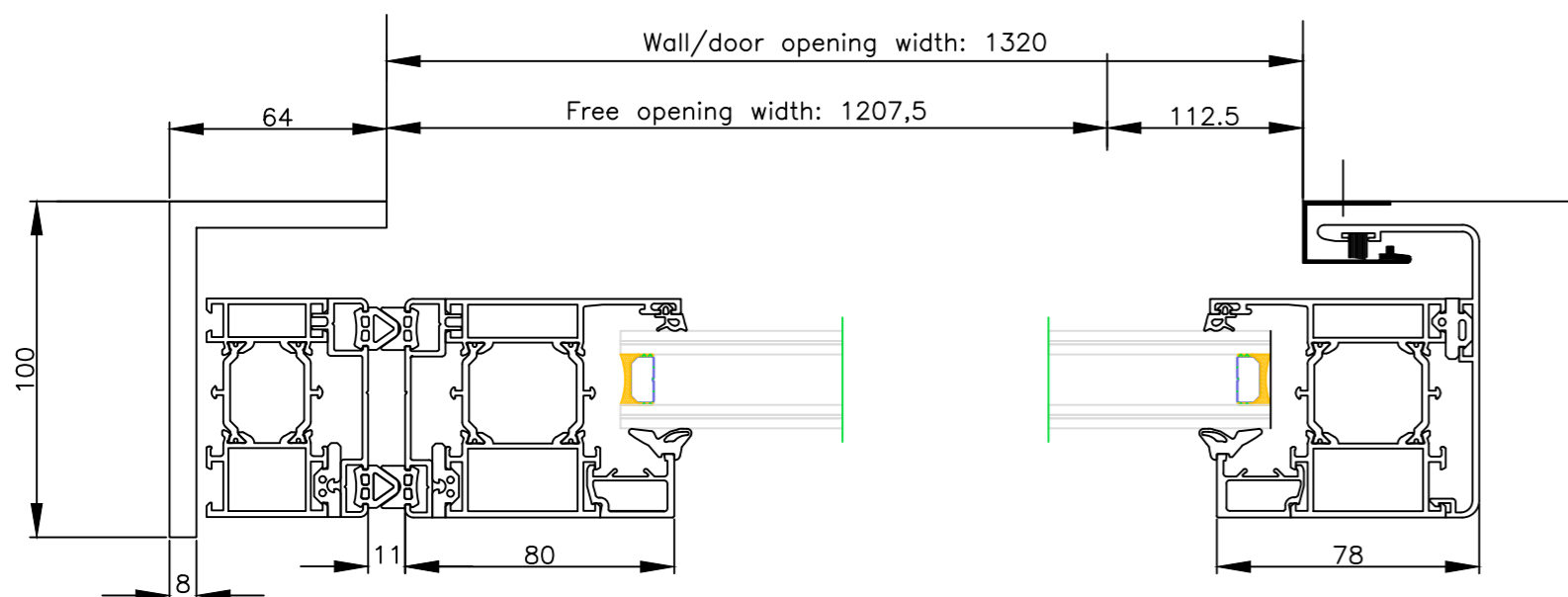
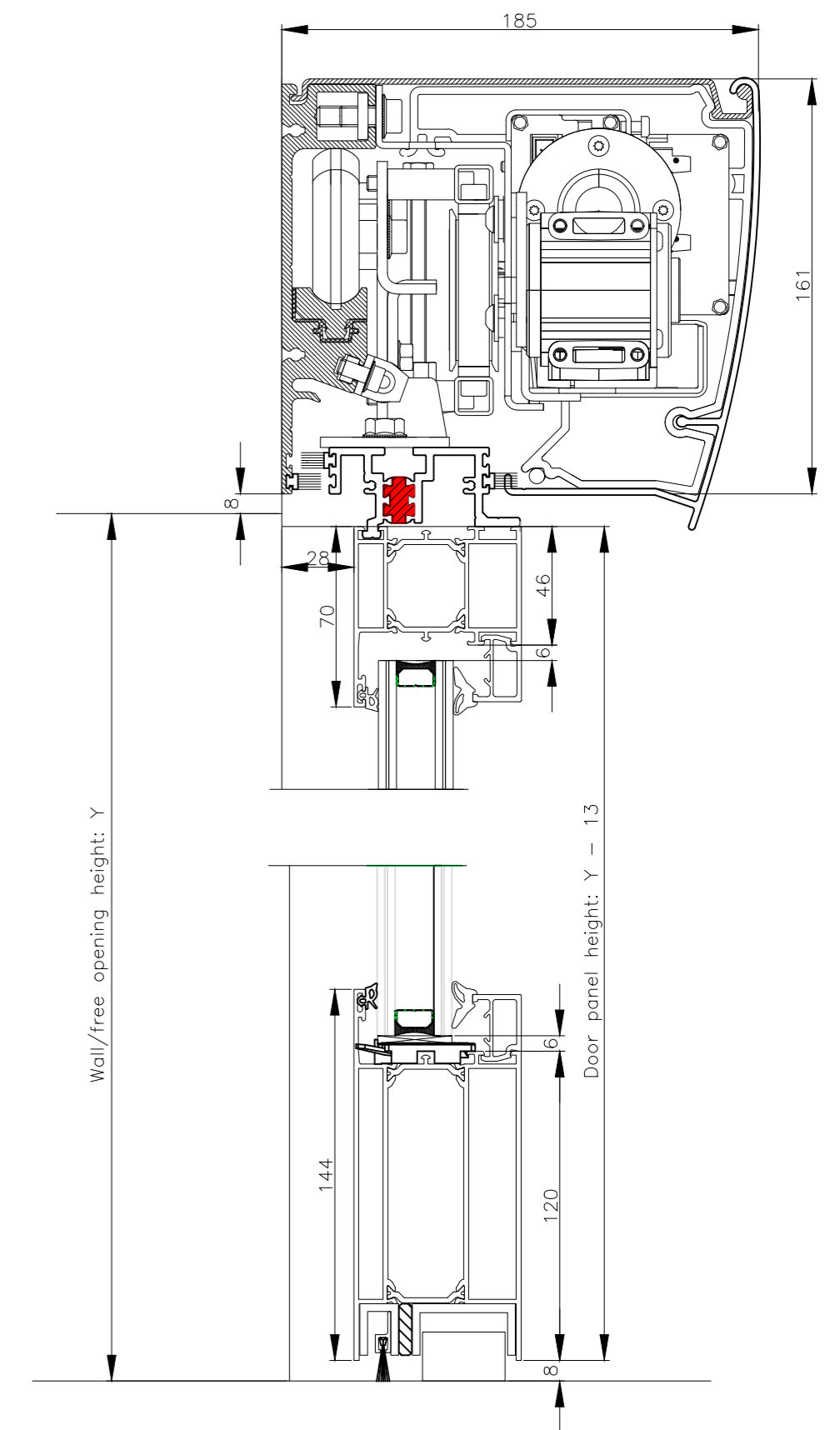


implementable signaling devices			other implementable electrical devices	
position	device	symbol		
A	push button, 4 x 0.34mm <sup>2</sup>		INPUT: - intercom	
A	dimmed push button, 4 x 0.34mm <sup>2</sup>		- fire alarm system	
A	push button 2-positions, 4 x 0.34mm <sup>2</sup>		potential free contact switch	
A	key switch, 4 x 0.34mm <sup>2</sup>		OUTPUT: - bel switch	
A	pull switch, 4 x 0.34mm <sup>2</sup>		- alarm system	
A	elbow push switch, 4 x 0.34mm <sup>2</sup>		Imax. = 400mA	
A	PFS wired UTP Cat5, 8 wires Ø0.5mm			
B	wall socket: 230V. 3 x 2.5mm <sup>2</sup>			
C	photocell incl. cable			
D	motion sensor incl. cable			



**Insulated Sliding doors configurations :**

**Doordimensions:**

Double door, clear opening. 1800mm x 2300mm.

**Glazing:**

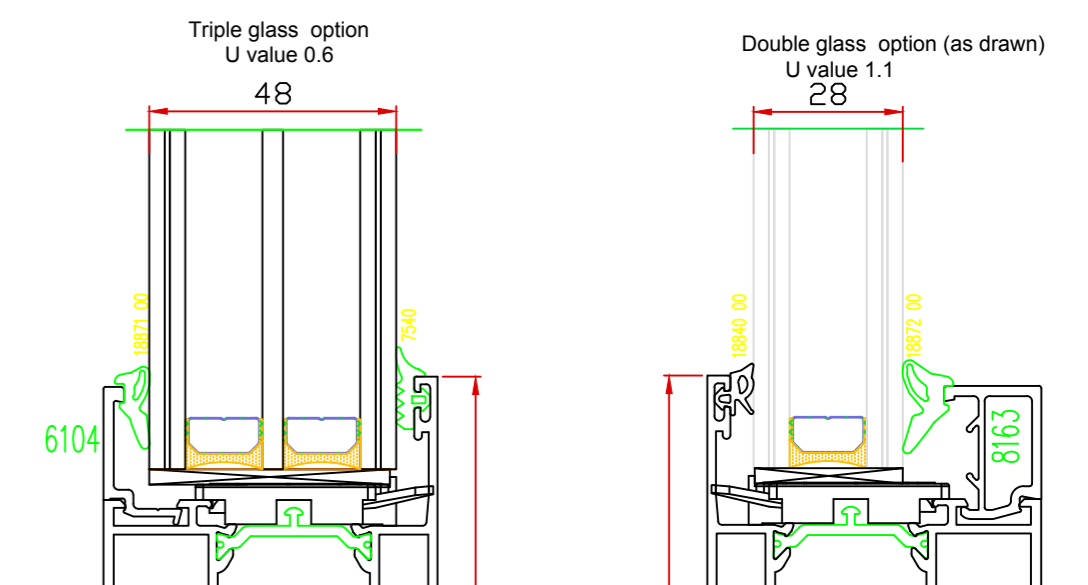
Insulated double glass: Climaplus Ultra N: laminate 33/2-15A-33/2, 28.52mm,

**Locking options :**

Hooklock Assa Abloy (2 pc.)

**Finishing:**

Profiles silver anodised or coated in standard Ral colors.



Title: Metro station sliding doors			Drawing number:
Order number:	Page no.: 1	Projectie ISO-128	Revision number:
Date: 13-03-2014	Scale:		A:
Drawn by: WM	Paper size:		B:
			C:
			Copyright by KONE
Smalle Zijde 20A Postbus 94 3900 AB Veenendaal Tel.: 0318 - 532333 Fax: 0318 - 532339			