

KONE Swing Gate 30

Brief description Basic equipment

- Tubular column made of stainless steel AISI 304 (1.4301) Ø140
- with U-shaped crossbars, Ø40mm, made of stainless steel tube AISI 304
- Door leaf radius 900mm, top edge of door leaf 900mm
- Locking system, drive and toothed holding brake installed in tubular column
- Stainless steel satin finish
- Control system and power supply unit in an external switch cabinet H=283 / W=168 / D=115 (mm)
- Power supply 110 - 230 VAC 50/60 Hz
- Mounted on finished floor level FFL
- Suitable for outdoor installation!
- Housing IP43, components conducting supply voltage IP 54.

Function

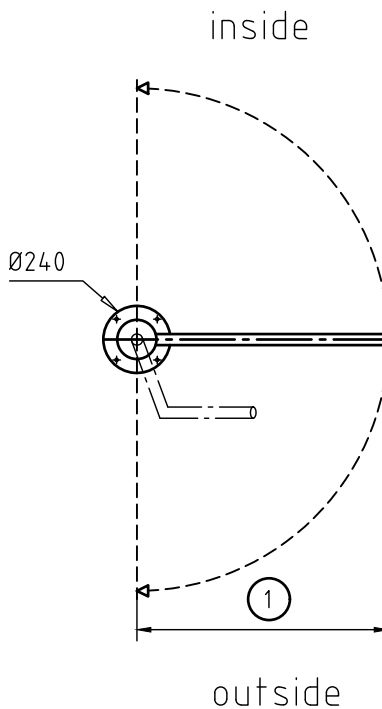
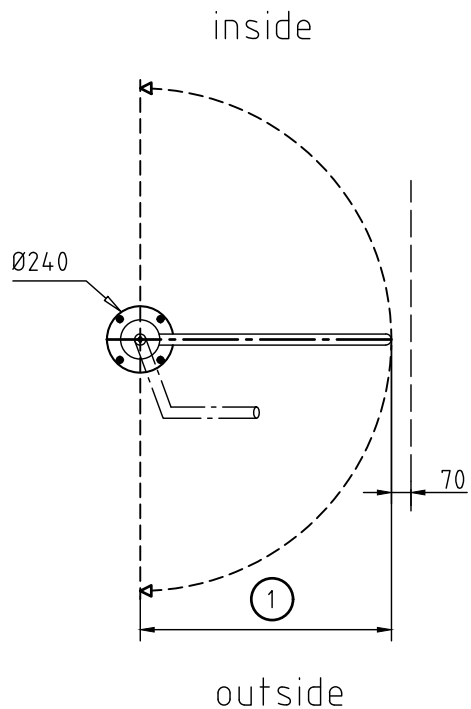
- type 2 Power assisted motion; servo-positioning drive /two directions electrically controlled, 90° opening in entrance and exit directions.

variant A variant B

4x Ø12 in flange plate for fixing by shear connector with female thread M8

flange plate Ø240

area Ø80 for conduits



outside

outside

preferred measure (on stock)

conduits

- the conduit of this drawing are reserved for the supply of the turnstile only
- the conduit for the readers etc. must be additionally laid according to the maker's specifications

implementing regulations DIN EN 206-1/DIN 1045-2

- quality of the concrete C30/37

door wing width	(1)	650	700	750	800	850	900	950	1000	1050	1100	1150	1200
passage width: pw	(2)	650	700	750	800	850	900	950	1000	1050	1100	1150	1200

All cable runs must be prepared by others!
All lines are to be flexibly!

The following cables are *not included* in delivery:
W0: Main supply 110-230V / 50Hz/60Hz / max.75VA / min. 3x1,5mm²
W1: 5x1,5mm² shielded
W3: Control desk line 2x2x0,34mm² flexible. Trip line shielded and stranded in pairs.
W4: Drive to the card-reader-system according to the system-supplier.
W5: Shaft encoder cable 6x2x0,14mm²/6x2x0,6mm. Trip line shielded and stranded in pairs.

Title: KONE Swing Gate 30		Drawing number:	
Order number:	Page no.:	Projectie ISO-128	
Date: 23-03-2017	Scale:	Revision number:	
Drawn by:	Paper size:	A:	
		B:	
		C:	
		Copyright by KONE	
Accustraart 21 Postbus 94 3903 LX Veenendaal Tel.: 0318 - 532333 Fax: 0318 - 532339			