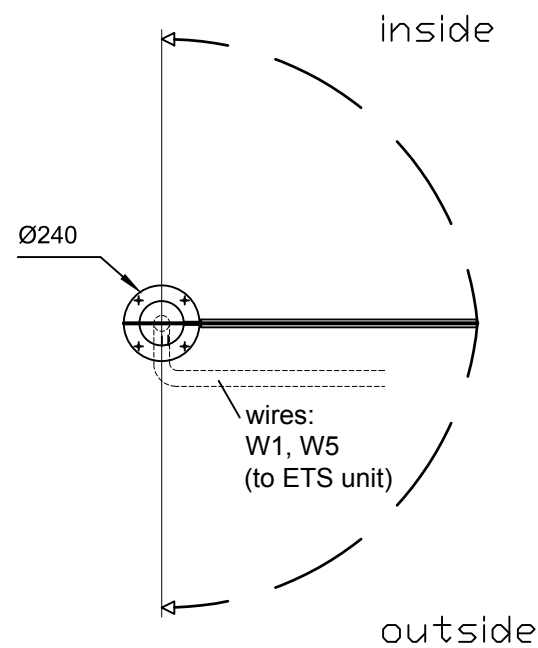
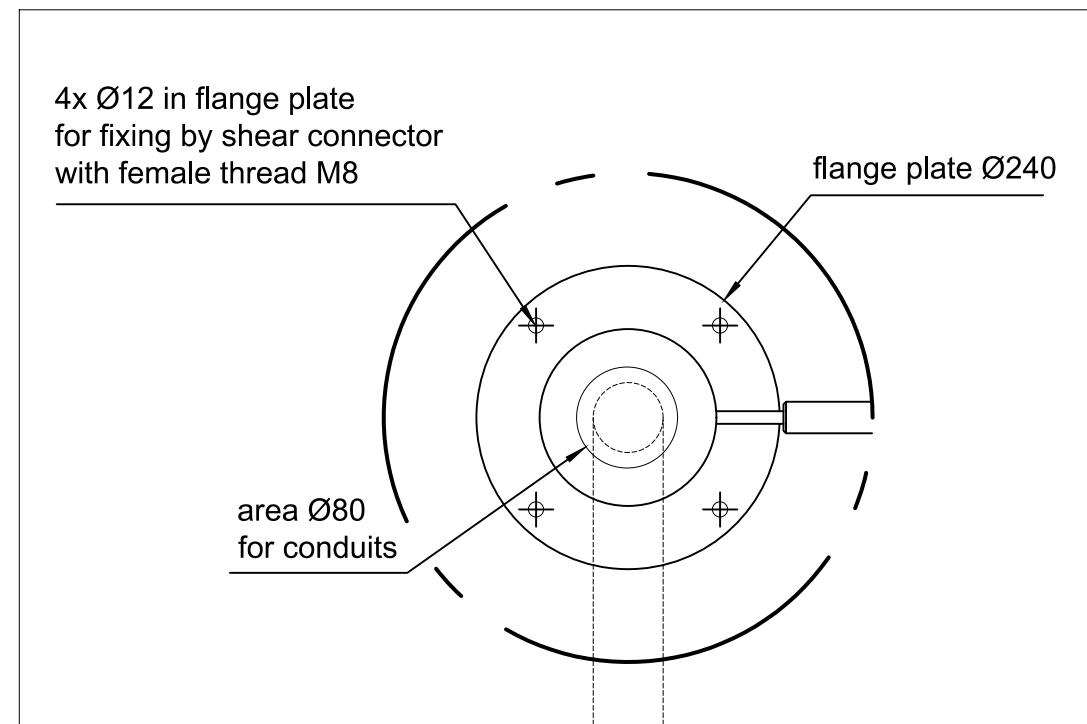


ETS Control unit:
to be mounted out of sight (max distance to swing door: 20 mtr.)



Position Swing Gate 50 RIGHT: Hinge left (A)



* To be done by others:

- all Conduits (diameter must be 50 mm.)
- following cables (cables must be flexibly):
- W0: Main supply 110-230V / 50/60Hz / 120VA / min. 3x1,5mm² (1,5mtr. extra lenght)
- W1: 5x1,5mm² shielded (1,5 mtr extra lenght)
- W3: PGS 2x 2x0,34mm² flexible. Trip line shielded and stranded in pairs. (2mtr. extra lenght)
- W4: Cable to the card-reader-system (from external Access Manager) according to the system-supplier. (2mtr. extra lenght)
- W5: Shaft Encoder cable 6x2x0,14mm² / 6x2x0,6mm. Trip line shielded and stranded in pairs (1,5mtr extra lenght)

Title: KONE Swing Gate 50		Projectie ISO-128	Drawing number:
Order number:	Page no.:		Revision number:
Date: 23-03-2017	Scale:		A:
Drawn by:	Paper size:		B:
		Accustraat 21 Postbus 94 3900 AB Veenendaal Tel.: +31 318 532333 Fax: +31 318 532339	C:
			Copyright by KONE