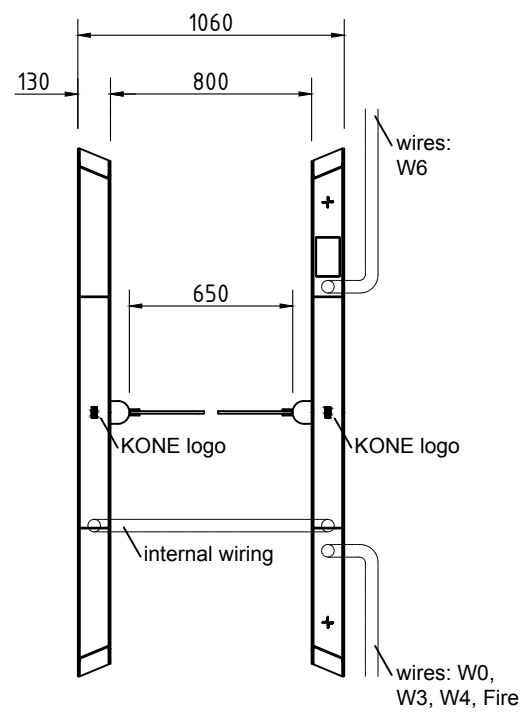
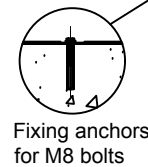
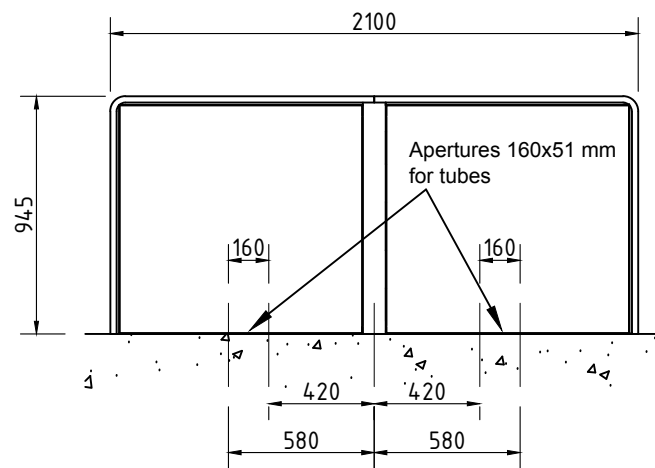


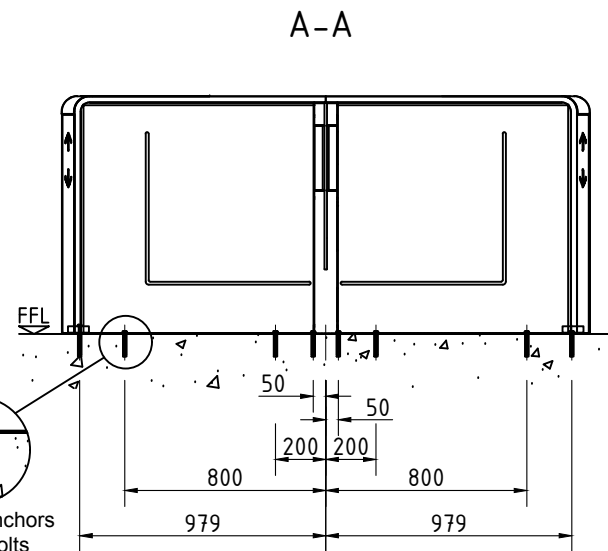
inside



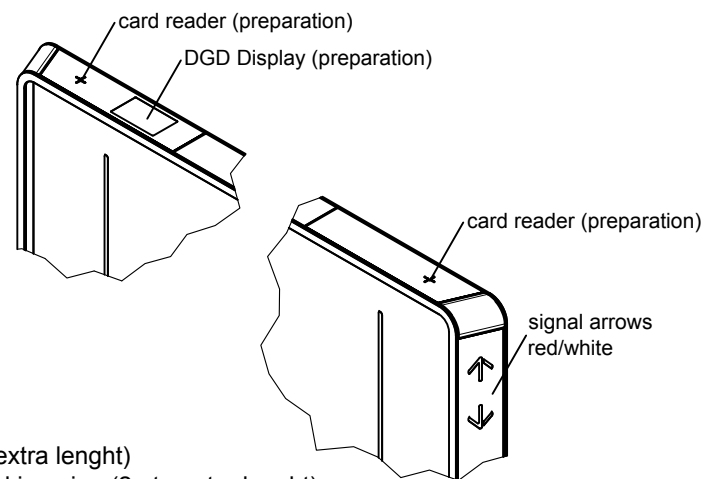
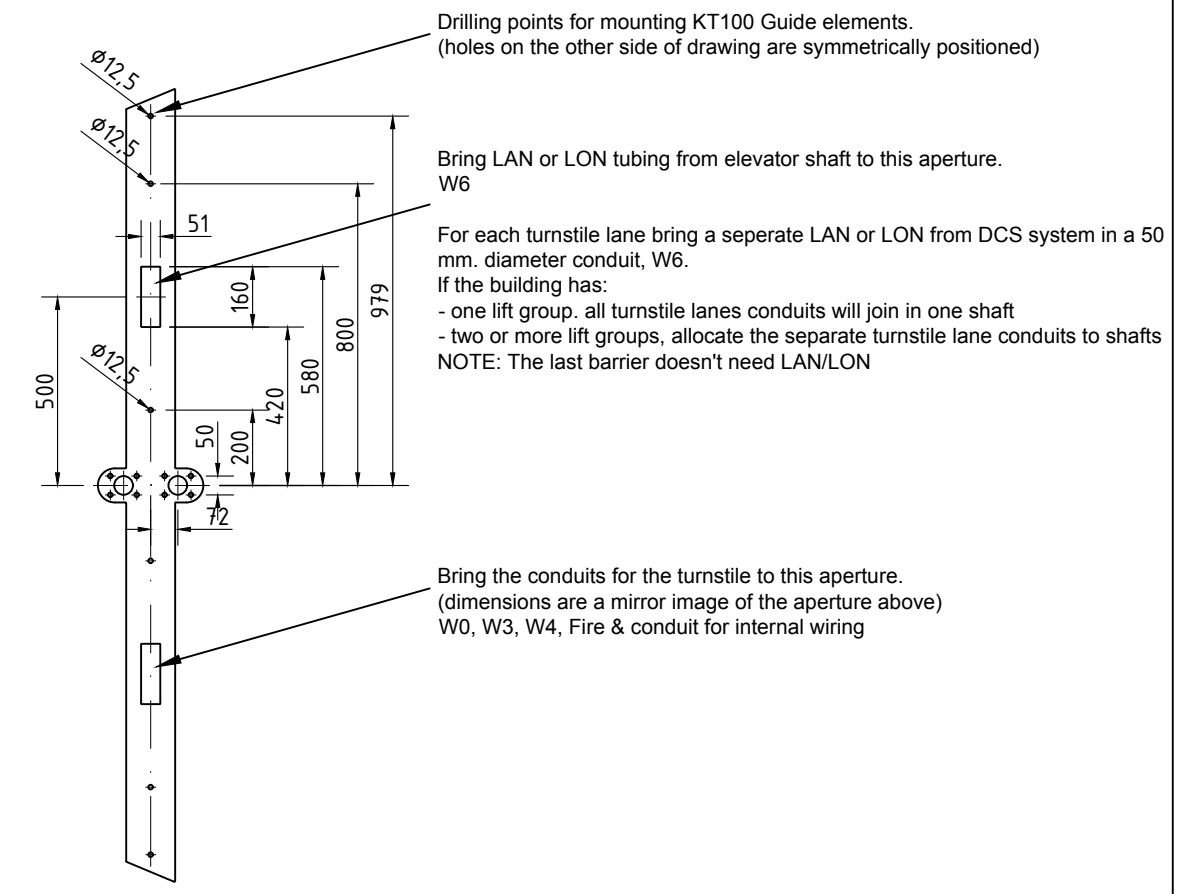
outside



Fixing anchors for M8 bolts




Dimensional drawing of a baseplate of a KT100 Guide element with key dimensions, so the conduits can be brought to the right positions for the gate installation



* To be done by others:

- all Conduits (diameter must be 50 mm.)
- following cables (cables must be flexibly):
 - W0: Main supply 110-240V / 50/60Hz / min. 3x1,5mm² (1,5mtr. extra length)
 - W3: PGS 2x 2x0,34mm² flexible. Trip line shielded and stranded in pairs. (2mtr. extra length)
 - W4: Cable to the card-reader-system (from external Access Manager) according to the system-supplier. (2mtr. extra length)
 - W6: LAN or LON for DGD Display

| | | | |
|---|-------------|--|-------------------|
| Title: KONE Turnstile 100 | | | Drawing number: |
| Order number: | Page no.: | Projectie ISO-128 | Revision number: |
| Date: 23-03-2017 | Scale: | ⊕ A | |
| Drawn by: | Paper size: | | A: |
|  | | Accustraat 21 Postbus 94 3903 LX Veenendaal Tel.: +31 318 532333 Fax: +31 318 532339 | B: |
| | | | C: |
| | | | Copyright by KONE |