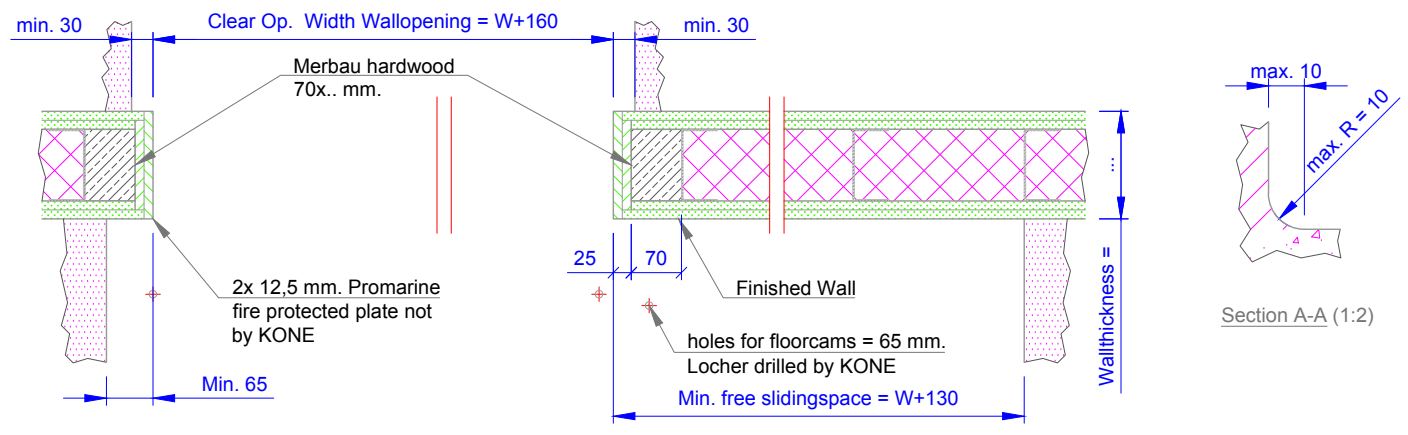
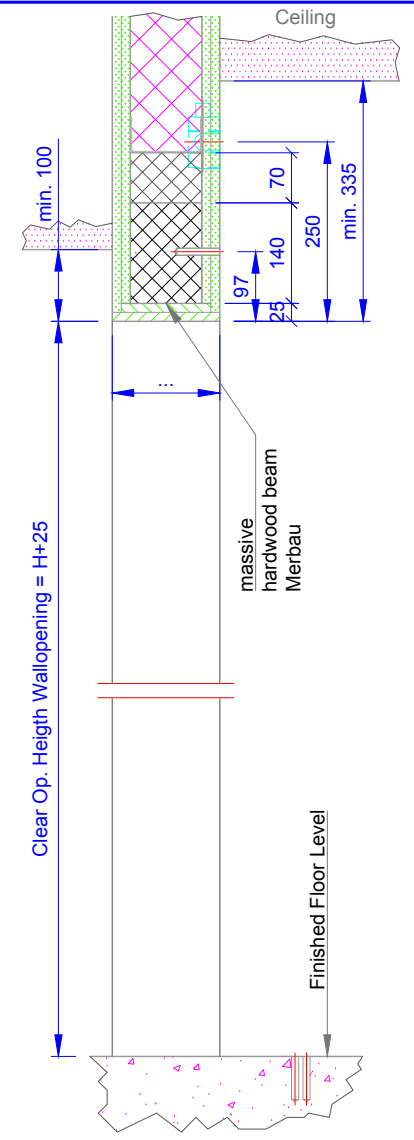


Frontview wallopening (1:30)



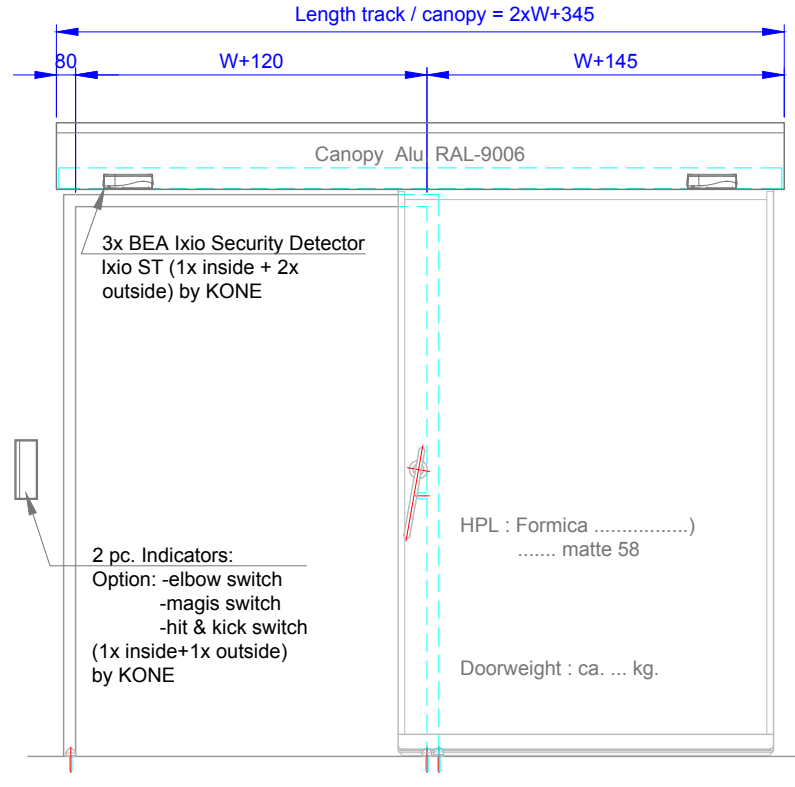
Section A-A (1:2)

Remarks :

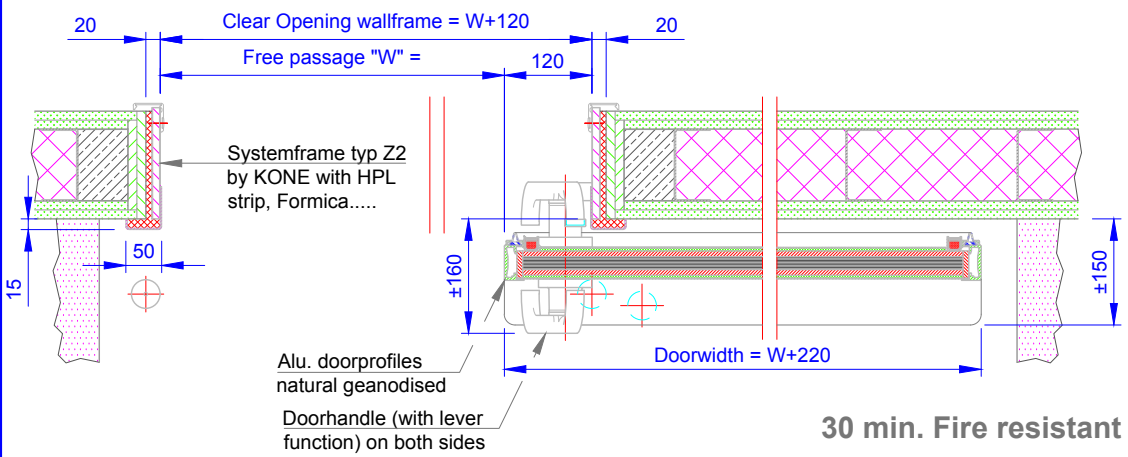
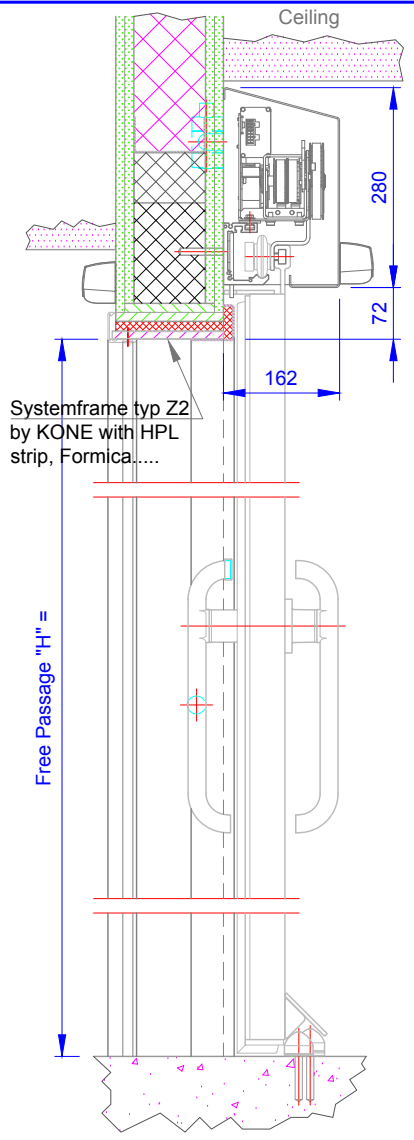
The door and Z2 wallframe is certified EI2-30 minutes.  
The wallconstruction is according the tested wall.

De finished wall and floor must be ready before installation of the slidingdoor.

<b>W x H =</b> .....	..... x ..... mm.
<b>free passage</b>	
<b>Din direction =</b>	Righthand
<b>Number =</b>	.x



Frontview with door (1:30)



**30 min. Fire resistant / smoke tight EI2-30**

<b>Title:</b> M5-EI2-30 automatic, with Z2 system-wallframe		<b>Drawing number:</b>	
<b>Order number:</b>	<b>Page no.:</b>	Projectie ISO-128 ⊕ A	
<b>Date:</b>	<b>Scale:</b>		
<b>Drawn by:</b>	<b>Paper size:</b>	<b>Revision number:</b>	
		A:	
		B:	
		C:	
		Copyright by KONE	
Accustraat 21 Postbus 94 3900 AB Veenendaal Tel.: 0318 - 532333 Fax: 0318 - 532339			